

Rotameters



ACRYLIC TUBE ROTAMETER

It consists of solid acrylic square block with taper inside the block for variable area. Available in flange & screwed connection.

Features

- ★ Suitable for liquid & gases.
- ★ Do not require electric connection.
- ★ Easy to maintain.
- ★ Clear visibility.
- ★ Design to suit your conditions.
- ★ Simple & compact.

Technical Specification

Fluid	:	Liquid / Gas (Transparent)
Temperature	:	Max. Allowed 50°C
Pressure	:	Max. Allowed 10 Kg/Cm ²
Line size	:	"1/4 to 3" Suitable for the flow
Flow	:	1-10 LPH TO 2500-25000 LPH of H ₂ O
Ffd	:	410-500 MM
Flow direction	:	Vertical Bottom to Top
Wetted parts	:	C.S / SS 304 / SS 316 / PTFE Loaded
Float	:	C.S / SS 304 / SS 316 / PTFE
Hydro test	:	10 Kg / Cm ²
Pressure drop	:	Nominal
Accuracy	:	+, - 2% Full Scale.



GLASS TUBE ROTAMETER

Glass Tube Rotameter is basically a Variable Area Flow Meter.

The differential pressure across the annulus area is constant and the flow rate is measured as a function of the annulus area. This area is displayed as the position of a "Float".

Standard Features

Various Material of Construction
Line Size from 15 NB to 80 NB
Heavy Duty Design with Maximum Visibility
Ranges between 2.0 LPH to 25000 LPH
Two Tone Powder Coated Excellent Finish
No Threads in Body, Avoids Corrosion
Face-To-Face Distance : 500 mm
Easy to Maintain and Replace
Suitable for on Line Installation
Measuring Span : 1:10
Glass : Borosilicate
Linear Scale
Slip on Flange - facilitates change in line of sight
Accuracy : +/- 2% of Full Scale
Single Piece (jointless) PTFE / PP claded end connections



Technical Specifications

Enclosure	:	MS- Powder Coated / SS- Powder Coated / SS- Buffed
Flange – NB	:	15, 25, 40, 50, 80
Flange Specifications	:	ASA-150, BS10-T-E, BS10 T-F, Din-10
MOC Wetted	:	CS, SS304, SS316, CS-PTFE, CS-PP
Float – MOC	:	SS316, PTFE, PVC, Aluminium
Flange – MOC	:	CS, SS304, SS316
PTFE Enve. Gland Packing	:	Nitrite , Silicon, Viton

BY-PASS ROTAMETER

By-Pass Rotameter – Right purpose for measuring the flow of fluids in pipe of 4" or higher by using orifice plate. It is complete set of orifice plate, carrier ring, by pass lines & flow meter.

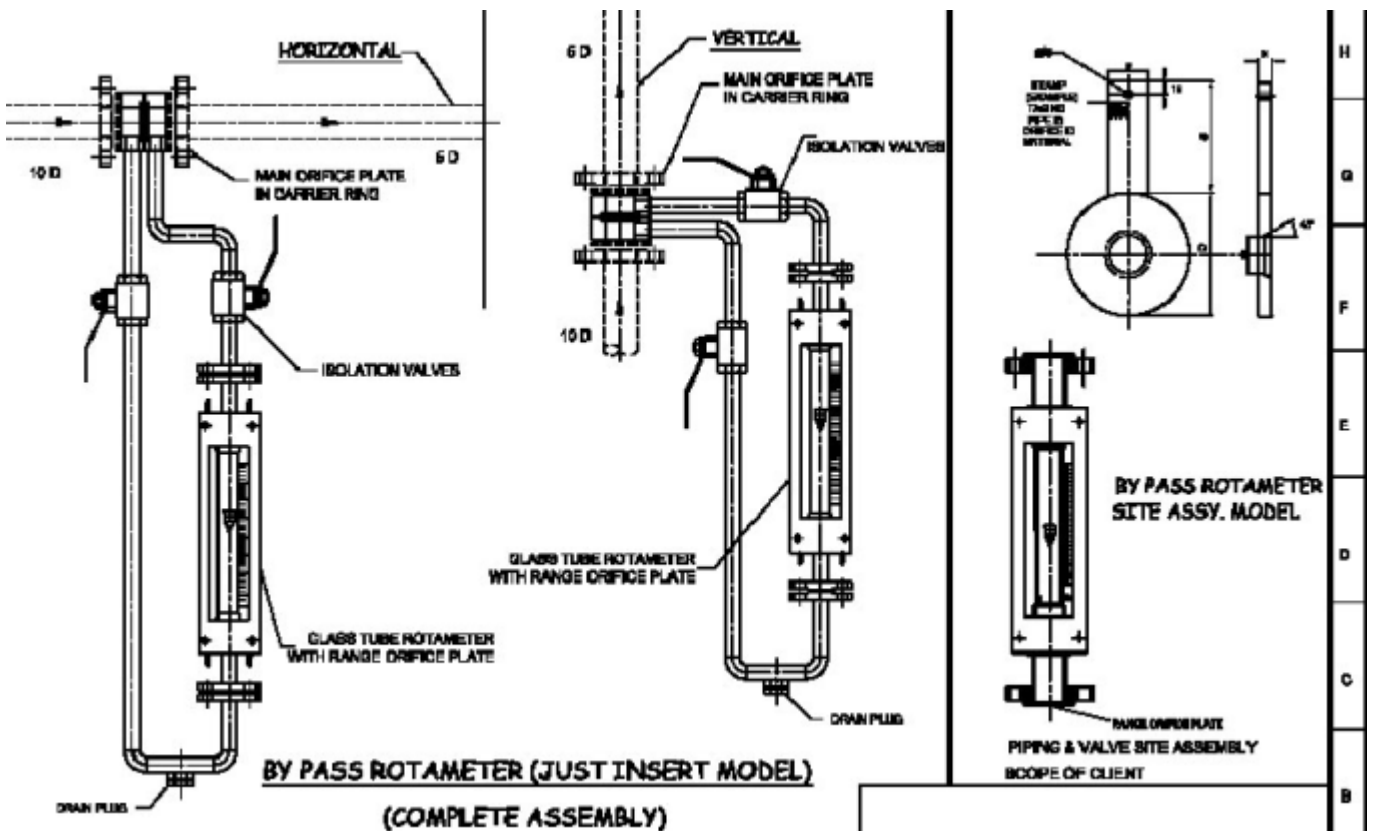
By-pass Rotameter measures flow by inserting an orifice at part of the piping, generating differential pressure before and behind the orifice by means of the flow, and extracting this differential pressure by a suitable method.

The generated differential pressure is sent to a rotameter and a differential flow meter can be formed by attaching a flow scale to this gauge.



Technical Specifications

Line size	:	4" to 12"
Ranges	:	20-200 m ³ /hr to 80-800 m ³ /hr of h ₂ O
Accuracy	:	+,- 4% of full scale
Accessories	:	High & Low Alarm Switch





METAL TUBE ROTAMETER

Metal Tube Rotameter is used to measure the translucent fluids. Also used for high pressure & temperature. Available in SS 316, SS 304 , PTFE lined Constructions.



Technical Specifications

- Line size : ½” to 4”
- Ranges : 30-300 lph to 6000-60,000 lph of h2o
- Accuracy : +/- 2% of full scale
- Accessories : High & Low Alaram Switch
With Jacketing

Data required to quote

- Type of Rotameter :
- Media :
- Media Density & Viscosity :
- Line size :
- Flow rate :
- Operating Temperature :
- Operating Pressure :
- Process Connection. (Threaded / Flange size) :
- Material of constriction :

Dealers :