

PADDLE WHEEL DIGITAL FLOW METER



Water Treatment



Process Industry



Textile & Garments



Steel & Cement



Food & Pharma



Special purpose machine



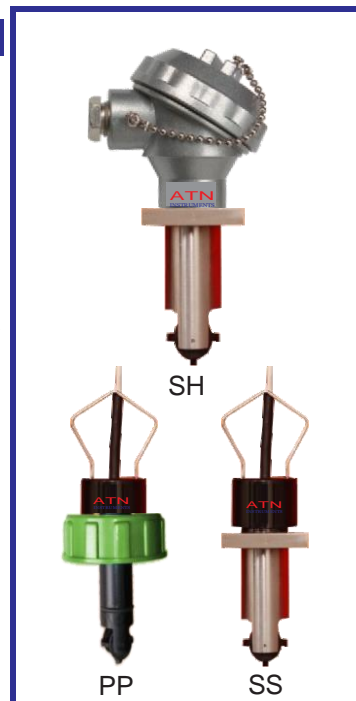
Domestic Water metering



Paddlewheel Flow Sensors is highly repeatable, reliable performance, rugged sensors & little or no maintenance. The Model ATN400 has open collector signal output (sink) and has a wide dynamic flow range of 0.5 to 5 m/s (0.3 to 20 ft/s). The sensor use to measures liquid flow rates in full pipe. Sensors can be installed in 15 NB to 300 NB (0.5 to 12 in.) Line size. To install this sensor in process line, we offer different types of T-fitting. These T-fittings, which include “T” with threaded & flange end, weld adapter and block design to seat the sensor to the proper insertion depth into the process flow.

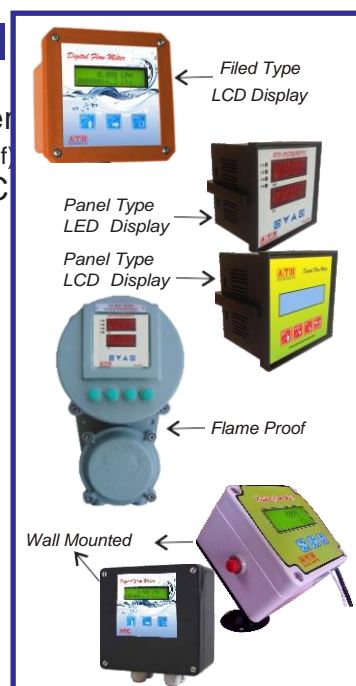
Technical specifications of flow sensor ATN 400 PP/SS/SH

Flow Rate Range	:	0.5 to 5 m/s (1.6 to 16.4 ft./s)
Pipe Size Range	:	15 NB to 300 NB (0.5 to 12 in.)
Linearity	:	±1% of full range
Repeatability	:	±0.5% of full range
Min. Reynolds Number	:	4500
Required Wetted Parts	:	
Sensor Body	:	Polypropylene (black) or PVDF (black) SS 304 / SS 316
O-rings	:	Viton / Teflon
Rotor Pin	:	Hastelloy C / Tungsten Carbide
Rotor	:	Black PVDF.
Frequency	:	38 Hz per m/s nominal (11.6Hz per ft/s nominal)
Supply voltage	:	10 to 24 VDC regulated
Supply current	:	<20 mA @ 10 to 24 VDC
Output Type	:	Pulse output (NPN)
Cable Length	:	5 m (16.4 ft.) Standard
Operating Pressure	:	PP: max7 bar @ 25°C PVDF: max12 bar @ 25°C SS: max15 bar @ 25°C
Operating Temperature	:	PP: -10°C to 70°C PVDF: -10°C to 100°C SS: -10°C to 120°C



Flow Indicator - Technical specifications ATN 100, 200, 300

Function	:	FlowRate/Totalizer/Batcher/Transmitter
Display	:	LED/LCD(Field/Panel/Wall mounted/ flame proof)
Supply Voltage	:	95-270VAC / 110-300VDC / 12/24VDC
Linearity	:	±1% of full range
Repeatability	:	±0.5% of full range
Inputs	:	ATN flow sensor (ATN400)
Configuration Lock	:	Password protection.
Calibration	:	Using front membrane keys
Output	:	
Model ATN F/P100	:	Nil
Model ATN F/P200	:	Nil
Model ATN F/P200B	:	2A pot. Free Relay @230VAC
Model ATN F/P200R	:	2A pot. Free Relay @230VAC
Model ATN F/P300	:	4 to 20 mA / 2 to 10 VDC / RS485
Meter Size (Panel Mount)	:	96 mm X 96 mm X 95 mm
Cutout Size	:	92 mm X 92 mm
Protection Rating	:	IP65 for field mounting unit



Line size selection

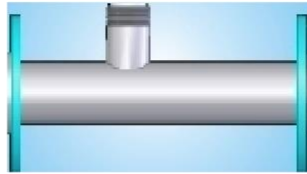
Size	15 NB	25 NB	40 NB	50 NB	65 NB	80 NB	100 NB	125NB	150NB	200NB	250NB	300NB
Min flow m3/hr	0.26	0.88	2.04	3.50	6.30	8.00	14.0	22	31	56	87	126
Max flow m3/hr	2.60	8.80	20.4	35.0	63.0	80.0	140	220	310	560	870	1260

Types of Sensor installation fittings

PP/SS T-Fitting with Threaded End

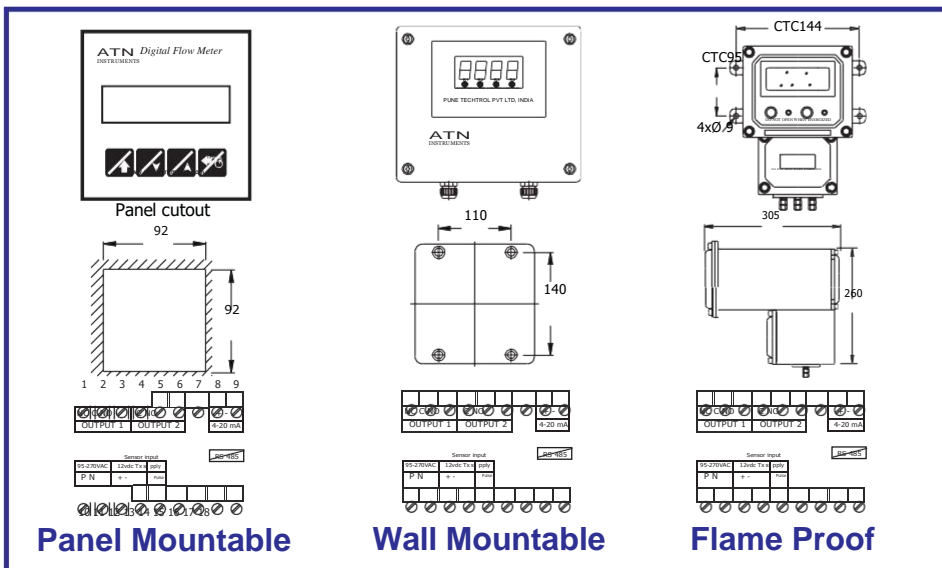
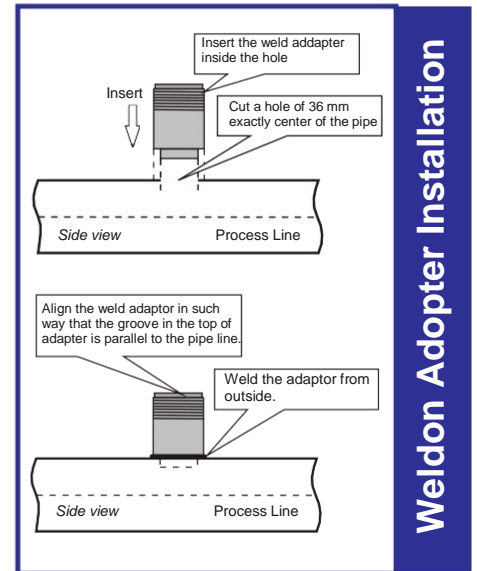
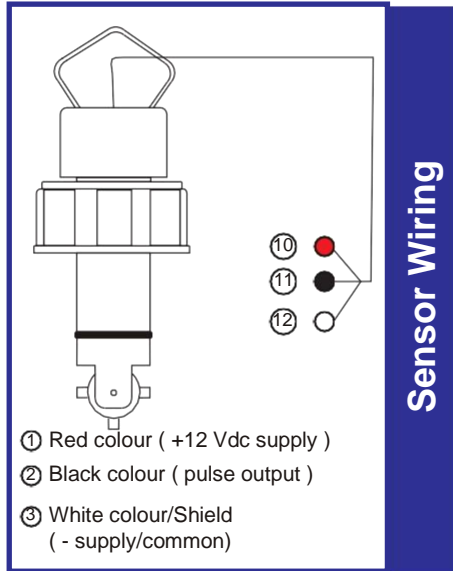
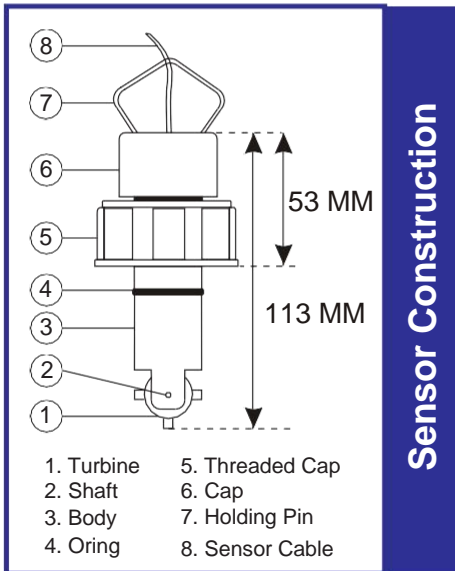


SS T-Fitting with stub End

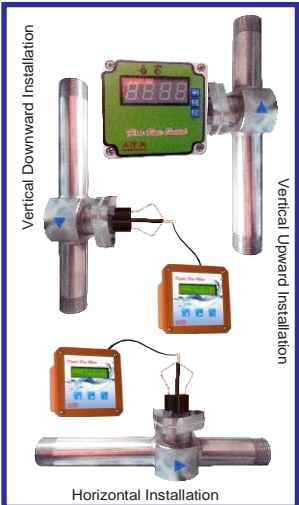


Weld Adapter

Saddle



Model Identification - ATN :							
Indicator Installation							
Online (Field Type)	_____	F					
Panel Mountable	_____	P					
Wall Mounted	_____	W					
Flame Proof	_____	FL					
Digital Indicator / Controller							
Flow Rate Indicator	_____	100					
Flow Rate Switch	_____	200R					
Flow Totalizer	_____	200					
Flow Batcher	_____	200B					
Flow Transmitter	_____	300					
Display Type							
LED	_____	E					
LCD	_____	C					
Blind	_____	B					
Output Type							
Null	_____				1		
Relay	_____				2		
4-20mA	_____				3		
RS485	_____				4		
GPRS/GSM	_____				5		
Sensor Selection							
PP-PVDF (Temp/70 ^o , Pressure 7 bar - Magnetic)	_____				1		
PP-PVDF (Temp/70 ^o , Pressure 7 bar - Non magnetic)	_____				2		
PP-SS (Temp/80 ^o , Pressure 8 bar - Non magnetic)	_____				3		
SS-PVDF (Temp/100 ^o , Pressure 12 bar - Magnetic)	_____				4		
SS-PVDF (Temp/100 ^o , Pressure 12 bar - Non magnetic)	_____				5		
SS-SS (Temp/100 ^o , Pressure 15 bar - Non magnetic)	_____				6		
T - Fitting							
PP (Only 15, 25, 40 Threaded End)	_____				1		
SS Threaded End (Only 15, 25, 40)	_____				2		
SS Flange End (Only 50, 80..., 300)	_____				3		
Welldon Adaptor (Only 40..., 300)	_____				4		
Non Standard (as per customer requirement)	_____				5		
Line Size							
15Nb	_____					L1	
25Nb	_____					L2	
40Nb	_____					L3	
50Nb	_____					L4	
65Nb	_____					L5	
80Nb	_____					L6	
100Nb	_____					L7	
125Nb	_____					L8	
150Nb	_____					L9	
200Nb	_____					L10	
250Nb	_____					L11	
300Nb	_____					L12	
Others	_____						



DATA LOGIN

Online Data

RS485

Offline Data

① Data Logger
② Bluetooth
③ Mobile
④ Computer

