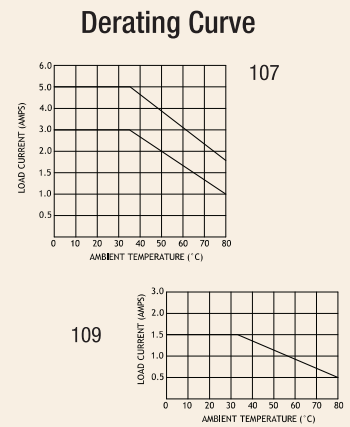
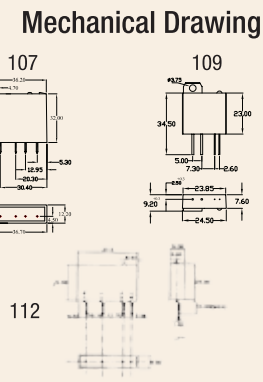
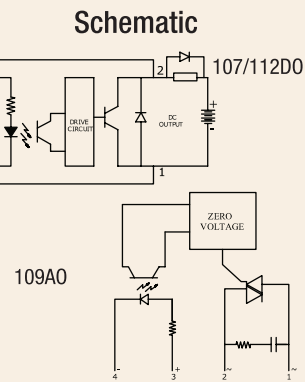


Series: 107/109/112

OUTPUT MODULES

INPUT : DC Control



Salient Features

- Compatible to TTL and CMOS Logic
- LED indication
- Industrial Standard Package with Hold - Down Screw
- PCB Mountable
- Pins are Polarised

ELECTRICAL SPECIFICATION @ TA = 25°C			PRODUCT PART NUMBERS			
PARAMETER	SYMBOL	UNIT	107 AO 240300 107 AO 240500	109 AO 241605	112 DO 100300 112 DO 200300	SCP 107 DO 030200

INPUT

PARAMETER	SYMBOL	UNIT	107 AO 240300 107 AO 240500	109 AO 241605	112 DO 100300 112 DO 200300	SCP 107 DO 030200
Control Voltage Range		Vdc	3-32	4-6	3.5 - 32	6-32
Control Current Range		Vdc	25	10	25	10
Pick-up Voltage		mA	3.0	4.0	3.5	6.0
Drop-out Voltage		Vdc	1.0	1.0	1.0	1.0

OUTPUT

PARAMETER	SYMBOL	UNIT	107 AO 240300 107 AO 240500	109 AO 241605	112 DO 100300 112 DO 200300	SCP 107 DO 030200
Load Current	IT	A	3-5	16	3	2
Load Voltage	V	V	280 Vac	280 Vac	100-200 Vdc	30 Vdc
Surge Current (Non-Rep)	ITSM	A	208	160	110	15
On state Voltage Drop	VTM	Vdc	1.5	1.5	1.5	1.5
Off state leakage Current@ rated Voltage	Idrm		5 mA	1.0 mA	10 µA	10 µA
Turn-On	T-on	µs	1/2 CYCLE	1/2 CYCLE	600	600
Turn -Off	T-off	µs	1/2 CYCLE	1/2 CYCLE	2500	2500
Operating Temp	T Oper	°C	-30 to +80	-30 to +80	-30 to +80	-30 to +80

