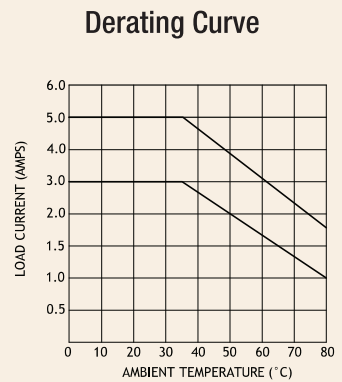
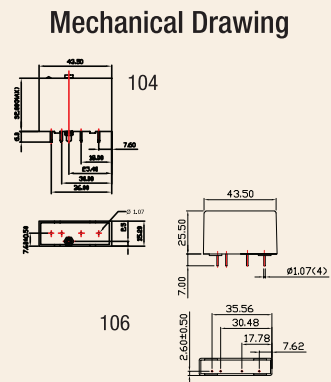
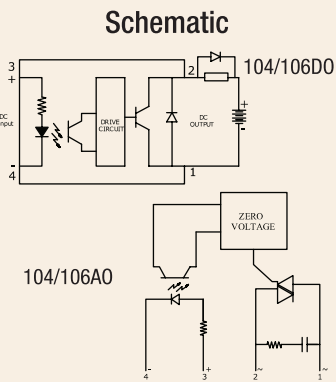


Series: 104/106

OUTPUT MODULES

INPUT : DC Control



Salient Features

- Compatible to TTL and CMOS Logic
- LED indication
- Industrial Standard Package with Hold - Down Screw
- PCB Mountable
- Pins are Polarised

ELECTRICAL SPECIFICATION @ TA = 25°C				PRODUCT PART NUMBERS			
PARAMETER	SYMBOL	UNIT					
			104 AO 240300	104 DO 060300	106 AO 240300	106 DO 060300	
			104 AO 240500	104 DO 060500	106 AO 240500	106 DO 060500	

INPUT

PARAMETER	SYMBOL	UNIT	104 AO 240300	104 DO 060300	106 AO 240300	106 DO 060300
Control Voltage Range		Vdc	3-32	3-32	3-32	3-32
Control Current Range		Vdc	15	20	15	25
Pick-up Voltage		mA	3.0	3.0	3.0	3.0
Drop-out Voltage		Vdc	1.0	1.0	1.0	1.0

OUTPUT

PARAMETER	SYMBOL	UNIT	104 AO 240300	104 DO 060300	106 AO 240300	106 DO 060300
Load Current	IT	A	3-5	3-5	3-5	3-5
Load Voltage	V	V	280 Vac	60 Vdc	280 Vac	60 Vdc
Surge Current (Non-Rep)	ITSM	A	300	110	300	110
On state Voltage Drop	V _{TM}	Vdc	1.5	1.5	1.5	1.5
Off state leakage Current@ rated Voltage	I _{drm}	mA	5	1.0	5	1.0
Turn-On	T-on	µs	1/2 CYCLE	200	1/2 CYCLE	760
Turn -Off	T-off	µs	1/2 CYCLE	750	1/2 CYCLE	850
Operating Temp	T Oper	°C	-30 to +80	-30 to +80	-30 to +80	-30 to +80

