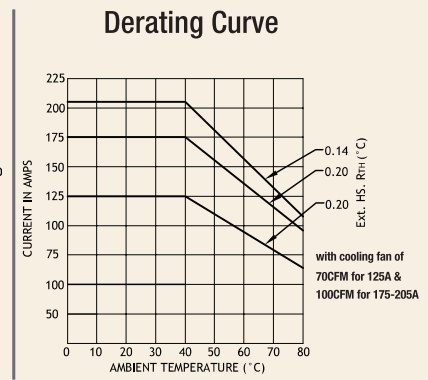
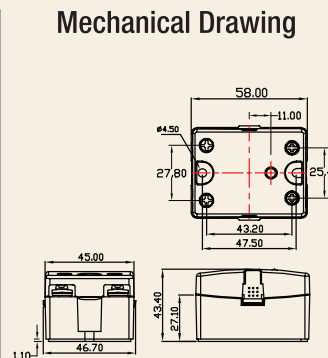
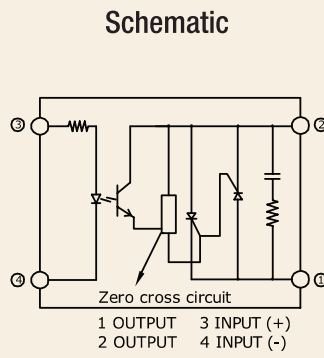


Series: 020 SJ/K

**Single Phase SSR (480~660VAC)
125~205Amps**

INPUT : DC Control
OUTPUT : Direct Copper Bonded Back-to-Back SCR 125~205Amps)



Salient Features

- Opto Isolation 4000 VAC • Zero Voltage Turn On/Random Turn On • Reverse Voltage Protection • TTL/CMOS Compatible (Sink mode) • Output : NO Configuration • Safety cover provision • Built-In Snubber • Higher load cycle resistance
- High thermal cycling capacity • High Fusing current • Chassis Mountable / DIN Mountable with Integral heat sink.

ELECTRICAL SPECIFICATION @ TA = 25°C			NOTE: FOR RANDOM T-ON SSR, ADD LETTER 'KD' IN PLACE OF 'D'		
PARAMETER	SYMBOL	UNIT	PRODUCT PART NUMBERS		
			020 SJDA 6012500	020 SJDA 6017500	020 SJDA 6020500

INPUT

Control Voltage Range		Vdc	4-32	4-32	4-32
Control Current Range		mA	8-30	8-30	8-30
Pick-up Voltage		Vdc	4.0	4.0	4.0
Drop-out Voltage		Vdc	1.0	1.0	1.0
Input Resistance		KOhms	1.0	1.0	1.0

OUTPUT

RMS on state Current	I_T	A	125	175	205
Mains Control Voltage	V_{rms}	Vac	48-660	48-660	48-660
Peak Off state Voltage	V_{drm}	Vpk	1200	1200	1200
Peak one cycle surge Current (Non-Rep)	I_{TSM}	A	1000	1350	2000
On state Voltage Drop	V_{TM}	Vac	1.6	1.6	1.6
Off state Leakage current	I_{drm}	mA	5	5	5
Zero T-On Voltage		Vpk	25	25	25
Critical Rate of Rise Off State Voltage	dv/dt	V/ μ s	1000	1000	1000
Holding Current	I_H	mA	200	200	200
Fusing Current	I^2T	A ² s	5000	9100	20000
Thermal Resistance	R_{TH}	$^\circ\text{C}/\text{W}$	0.7	0.5	0.26
Turn-On [Zero/Random]	T-On	ms	10/0.1	10/0.1	10/0.1
Turn-Off [Zero/Random]	T-Off	ms	10	10	10
Frequency Range	f	Hz	47~63	47~63	47~63
Operating Temp	T Oper	$^\circ\text{C}$	-30 to +80	-30 to +80	-30 to +80

