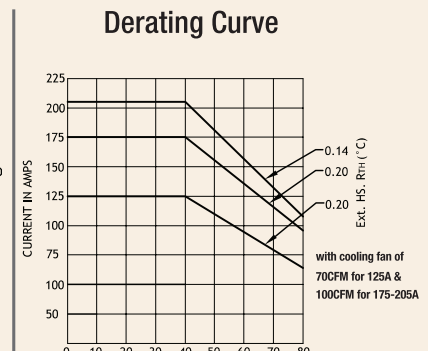
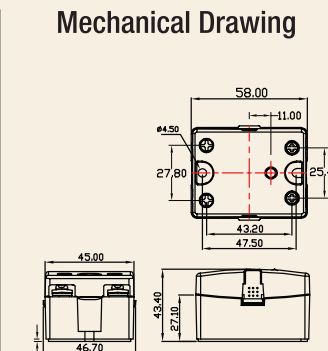
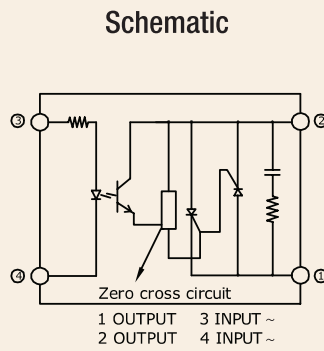


## Series: 020 SJ/K

**Single Phase SSR (480~660VAC)  
125~205Amps**

INPUT : AC Control  
OUTPUT : Direct Copper Bonded Back-to-Back SCR (125~205Amps)



### Salient Features

- Opto Isolation 4000 VAC • Zero Voltage Turn On/Random Turn On • TTL/CMOS Compatible (Sink mode)
- Output : NO Configuration • Safety cover provision • Built-In Snubber • Higher load cycle resistance
- High thermal cycling capacity • High Fusing current • Chassis Mountable / DIN Mountable with Integral heat sink.

| ELECTRICAL SPECIFICATION @ TA = 25°C |        |      | NOTE: FOR RANDOM T-ON SSR, ADD LETTER 'KD' IN PLACE OF 'D' |                  |                  |
|--------------------------------------|--------|------|--|------------------|------------------|
| PARAMETER                            | SYMBOL | UNIT | PRODUCT PART NUMBERS                                       |                  |                  |
|                                      |        |      | 020 SJAA 6012528   | 020 SJAA 6017528 | 020 SJAA 6020528 |

#### INPUT

|                       |  |       |        |        |        |
|-----------------------|--|-------|--------|--------|--------|
| Control Voltage Range |  | Vac   | 90-280 | 90-280 | 90-280 |
| Control Current Range |  | mA    | 9-30   | 9-30   | 9-30   |
| Pick-up Voltage       |  | Vac   | 90     | 90     | 90     |
| Drop-out Voltage      |  | Vac   | 45     | 45     | 45     |
| Input Resistance      |  | KOhms | 9.5    | 9.5    | 9.5    |

#### OUTPUT

|   |           |                  |            |            |            |
|---|-----------|------------------|------------|------------|------------|
| RMS on state Current                    | $I_T$     | A                | 125        | 175        | 205        |
| Mains Control Voltage                   | $V_{rms}$ | Vac              | 48-660     | 48-660     | 48-660     |
| Peak Off state Voltage                  | $V_{drm}$ | Vpk              | 1200       | 1200       | 1200       |
| Peak one cycle surge Current (Non-Rep)  | $I_{TSM}$ | A                | 1000       | 1350       | 2000       |
| On state Voltage Drop                   | $V_{TM}$  | Vac              | 1.6        | 1.6        | 1.6        |
| Off state Leakage current               | $I_{drm}$ | mA               | 5          | 5          | 5          |
| Zero T-On Voltage                       |           | Vpk              | 25         | 25         | 25         |
| Critical Rate of Rise Off State Voltage | $dv/dt$   | V/ $\mu$ s       | 1000       | 1000       | 1000       |
| Holding Current                         | $I_H$     | mA               | 200        | 200        | 200        |
| Fusing Current                          | $I^2T$    | A <sup>2</sup> s | 5000       | 9100       | 20000      |
| Thermal Resistance                      | $R_{TH}$  | °C/W             | 0.7        | 0.5        | 0.26       |
| Turn-On                                 | T-On      | ms               | 40         | 40         | 40         |
| Turn-Off                                | T-Off     | ms               | 80         | 80         | 80         |
| Frequency Range                         | f         | Hz               | 47~63      | 47~63      | 47~63      |
| Operating Temp                          | T Oper    | °C               | -30 to +80 | -30 to +80 | -30 to +80 |

