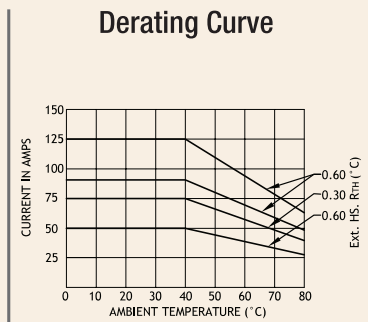
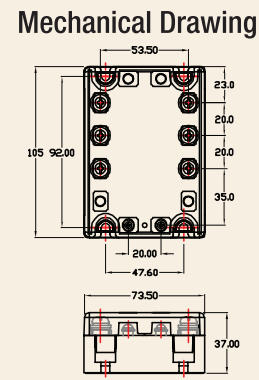
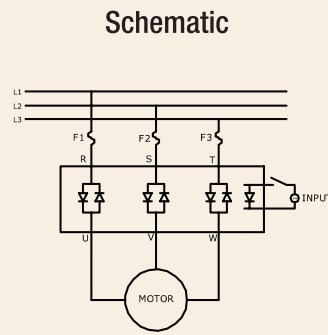


Series: 012 SJ/K

**Three Phase SSR (480~660VAC)
50~125Amps**

INPUT : AC Control
OUTPUT : SCR



Salient Features

- Opto Isolation 4000 VAC • Input Control AC • Zero Voltage Turn On/Random Turn On • Load Current 3x10A/16A/25A/40A
- Safety Cover Provision to Meet IP 20 Protection

ELECTRICAL SPECIFICATION @ TA = 25°C			NOTE: FOR RANDOM T-ON SSR, ADD LETTER 'K' IN PLACE OF 'J'			
PARAMETER	SYMBOL	UNIT	PRODUCT PART NUMBERS			
			012 SJAA 485028	012 SJAA 487528	012 SJAA 489028	012 SJAA 4812528
INPUT						
Control Voltage Range		Vac	90~280	90~280	90~280	90~280
Control Current Range		mA	9~25	9~25	9~25	9~25
Pick-up Voltage		Vac	90	90	90	90
Drop-out Voltage		Vac	45	45	45	45
Input Resistance		KOhms	11	11	11	11
OUTPUT						
RMS on state Current	IT	A	50	75	90	125
Mains Control Voltage	Vrms	Vac	48-480	48-480	48-480	48-480
Rep Peak Off state Voltage	Vdrm	Vpk	800-1200	800-1200	800-1200	800-1200
Peak one cycle surge Current (Non-Rep)	ITSM	A	520	750	870	1000
On state Voltage Drop	V _{TM}	Vac	1.6	1.6	1.6	1.6
Off state Leakage current	I _{drm}	mA	5	5	5	5
Zero T-On Voltage	Z _{vs}	Vpk	25	25	25	25
Critical Rate of Rise Off state Voltage	dv/dt	V/μs	1000	1000	1000	1000
Holding Current	I _H	mA	150	200	100	200
Fusing Current	I ² T	A ² s	1350	2812	3780	5000
Thermal Resistance	R _{TH}	°C/W	1.0	0.6	0.8	0.7
Turn-On	T-On	ms	40	40	40	40
Turn-Off	T-Off	ms	80	80	80	80
Frequency Range	f	Hz	47~63	47~63	47~63	47~63
Operating Temp	T Oper	°C	-30 to +80	-30 to +80	-30 to +80	-30 to +80

For 1200 Vpk add "60" in place of "48" (eg.: 012 SJDA 609000).

