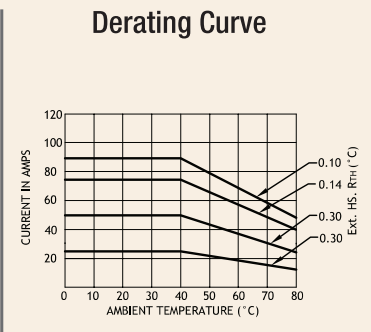
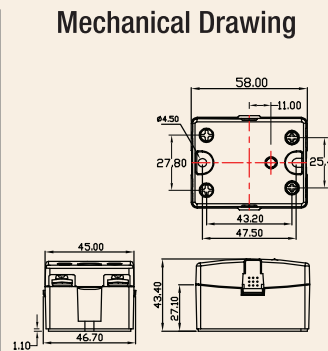
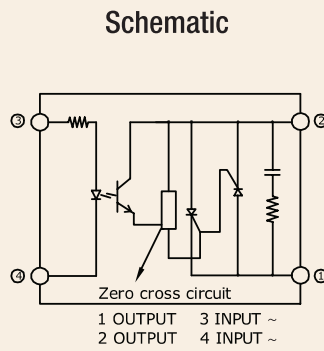


Series: 001/020 SJ/K

**Single Phase SSR (480~660VAC)
25~90Amps**

INPUT : AC Control
OUTPUT : Direct Copper Bonded Back-to-Back SCR (25~90Amps)



Salient Features

- Opto Isolation 4000 VAC • Zero Voltage Turn On/Random Turn On • TTL/CMOS Compatible (Sink mode)
- Output : NO Configuration • Safety cover provision • Built-In Snubber • Higher load cycle resistance
- High thermal cycling capacity • High Fusing current • Chassis Mountable / DIN Mountable with Integral heat sink.

ELECTRICAL SPECIFICATION @ TA = 25°C			NOTE: FOR RANDOM T-ON SSR, ADD LETTER 'KD' IN PLACE OF 'D'			
PARAMETER	SYMBOL	UNIT	PRODUCT PART NUMBERS			
			001 SJAA 602528	020 SJAA 605028	020 SJAA 607528	020 SJAA 609028

INPUT

PARAMETER	SYMBOL	UNIT	001 SJAA 602528	020 SJAA 605028	020 SJAA 607528	020 SJAA 609028
Control Voltage Range		Vac	90-280	90-280	90-280	90-280
Control Current Range		mA	9-30	9-30	9-30	9-30
Pick-up Voltage		Vac	90	90	90	90
Drop-out Voltage		Vac	45	45	45	45
Input Resistance		KOhms	9.5	9.5	9.5	9.5

OUTPUT

PARAMETER	SYMBOL	UNIT	001 SJAA 602528	020 SJAA 605028	020 SJAA 607528	020 SJAA 609028
RMS on state Current	IT	A	25	50	75	90
Mains Control Voltage	Vrms	Vac	48-660	48-660	48-660	48-660
Peak Off state Voltage	Vdrm	Vpk	1200	1200	1200	1200
Peak one cycle surge Current (Non-Rep)	ITSM	A	300	520	750	870
On state Voltage Drop	VTM	Vac	1.6	1.6	1.6	1.6
Off state Leakage current	Idrm	mA	5	5	5	5
Zero T-On Voltage		Vpk	25	25	25	25
Critical Rate of Rise Off State Voltage	dv/dt	V/μs	500	1000	1000	1000
Holding Current	IH	mA	100	150	200	100
Fusing Current	I ² T	A ² s	450	1350	2812	3780
Thermal Resistance	RTH	°C/W	1.5	1.0	0.6	0.8
Turn-On	T-On	ms	40	40	40	40
Turn-Off	T-Off	ms	80	80	80	80
Frequency Range	f	Hz	47~63	47~63	47~63	47~63
Operating Temp	T Oper	°C	-30 to +80	-30 to +80	-30 to +80	-30 to +80

